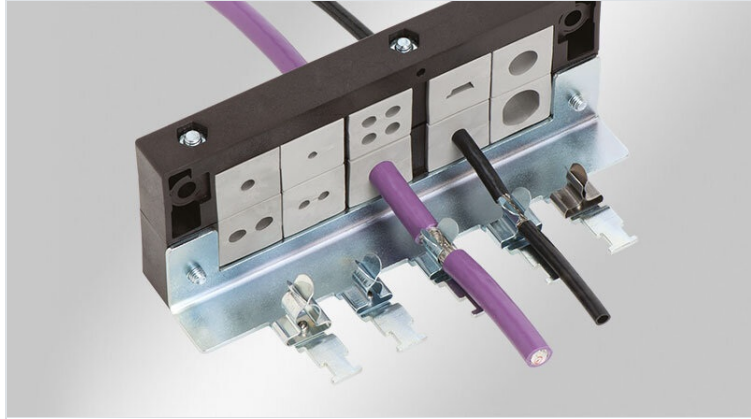


# KEL-EMC | KEL-EMC-Z cable assembly

with shield earthing and integrated strain relief



Cable entry, EMC shield earthing and strain relief - all in one location!

Cables pass through the [KEL cable entry frame](#) and lead directly to cable shield earthing and strain relief. Three functions carried out quickly and easily!

KEL-EMC-Z: Custom configurations are available for shield clamps up to 16 mm in diameter with minimal order quantities and lead time.

## Material:

KEL-EMC: Stainless steel

KEL-EMC-Z: Mild steel, galvanically zinc plated



RoHS  
compliant



Made in  
Germany



## Specifications

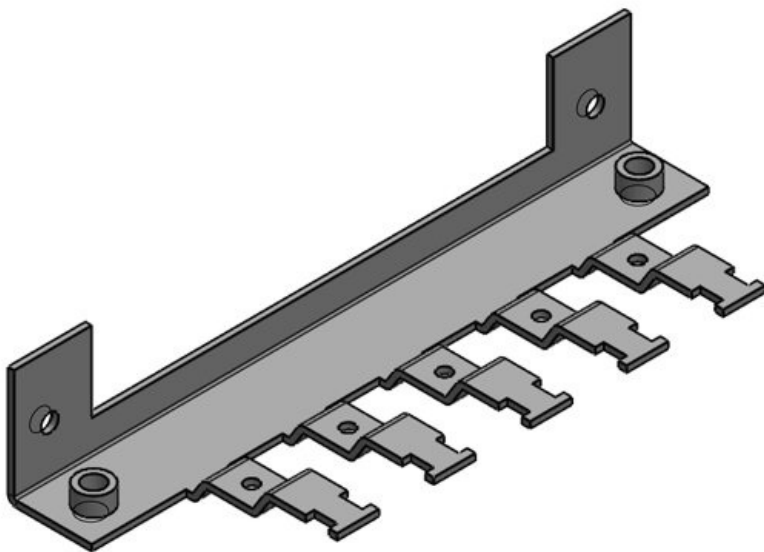
|                         |   |
|-------------------------|---|
| <b>Material</b>         | Mild steel, galvanically zinc plated<br>Stainless steel |
| <b>Properties</b>       | vibration proof   |
| <b>Mounting options</b> | Screw type mounting                                     |

## Advantages & benefits

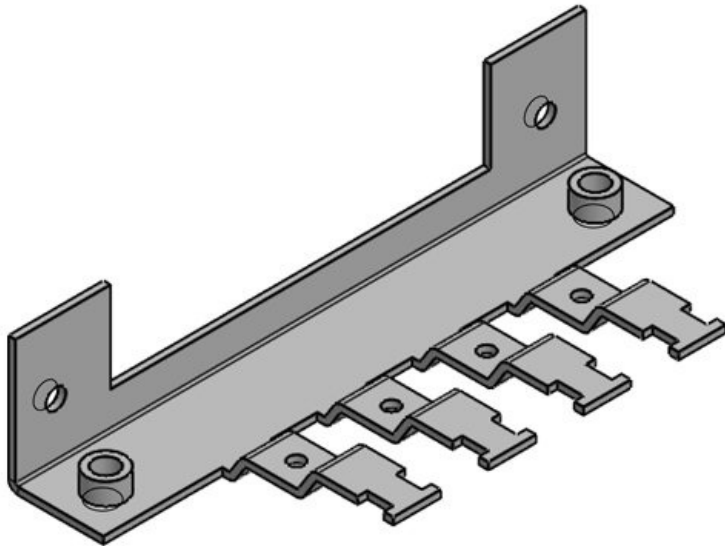
- Large surface contact between cable shield and housing, especially on conductive coated surfaces
- Easily combines cable routing, EMC and strain relief due to the use of the same mounting holes
- Available without SKL shield clamps if only additional strain relief is required
- M6 Mounting hole for earthing tape or PE connection (KEL-EMC-Z)
- Direct, easy and quick contact to the enclosure
- Space saving, usable for up to 10 cables with the two row model
- Replacement for EMC cable glands, even for pre-terminated cables

## Product types & sizes

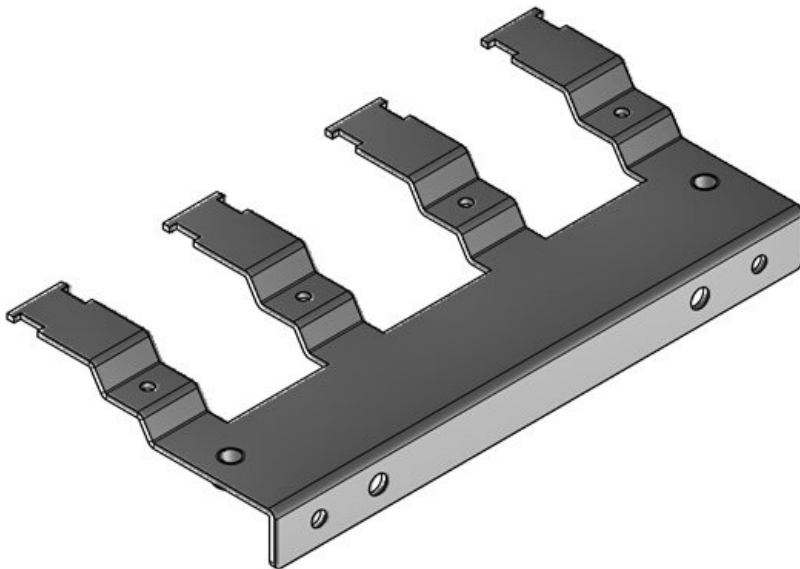
KEL-EMC-Z 24|5



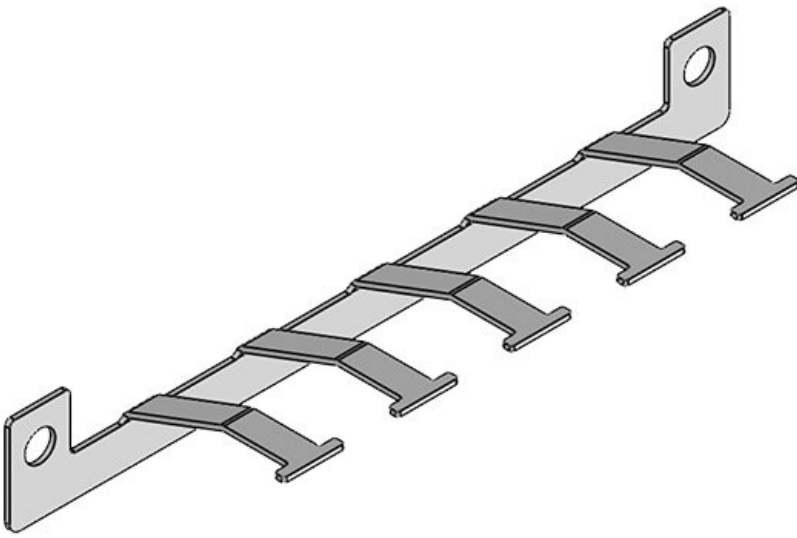
|                          |                      |                                   |   |
|--------------------------|----------------------|-----------------------------------|---|
| Part No.                 | <b>36527</b>         | Width                             | <b>56 mm</b>  |
| EAN                      | <b>4251269303074</b> | Height                            | <b>28 mm</b>  |
| Package quantity         | <b>1</b>             | Mounting height                   | <b>28 mm</b>  |
| For no. of shield clamps | <b>5</b>             | Hole size                         | <b>M5 / M6</b>  |
| For max. no. of cables   | <b>5</b>             | No. of screw holes                | <b>2</b>  |
| Length L1                | <b>147 mm</b>        | No. of teeth                      | <b>5</b>  |
| Length L2                | <b>130 mm</b>        | Suitable for cable entry systems: | <b>KEL-ER 24, KEL-ER-E5, KEL-U 24, KEL-FG-E5, KEL-QUICK 24, KEL-QUICK-E5, KEL-BES 24, KEL-BES-S 24, KEL-DPZ 24, KEL-DPZ-E, KEL-DPU 24</b> |



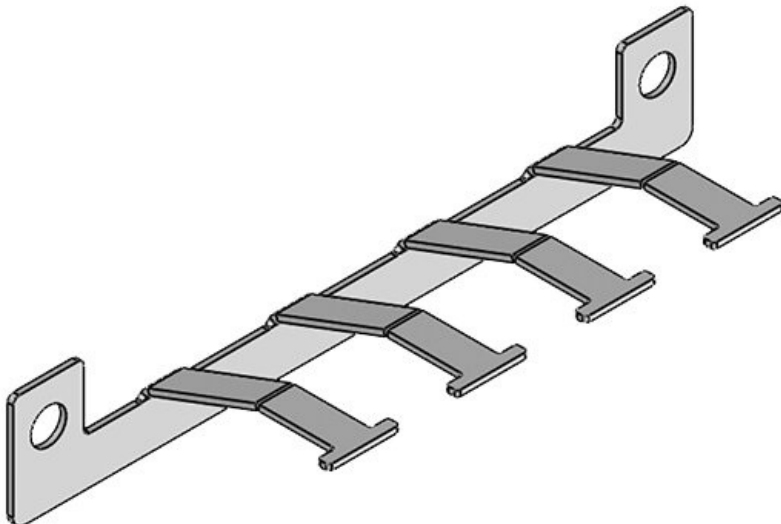
|                          |                   |                                   |   |
|--------------------------|-------------------|-----------------------------------|---|
| Part No.                 | <b>36525</b>      | Width                             | <b>56 mm</b>  |
| EAN                      | <b>4251269303</b> | Height                            | <b>28 mm</b>  |
|                          | <b>050</b>        | Mounting height                   | <b>28 mm</b>  |
| Package quantity         | <b>1</b>          | Hole size                         | <b>M6 / M5</b>  |
| For no. of shield clamps | <b>4</b>          | No. of screw holes                | <b>2</b>  |
| For max. no. of cables   | <b>4</b>          | No. of teeth                      | <b>4</b>  |
| Length L1                | <b>120 mm</b>     | Suitable for cable entry systems: | <b>KEL-ER 16, KEL-ER-E4, KEL-U 16, KEL-QUICK 16, KEL-QUICK-E4, KEL-BES 16, KEL-BES-S 16, KEL-DPZ 16</b> |
| Length L2                | <b>103 mm</b>     |                                   |   |



|                          |                   |                                   |                           |
|--------------------------|-------------------|-----------------------------------|---------------------------|
| Part No.                 | <b>36528</b>      | Width                             | <b>79 mm</b>              |
| EAN                      | <b>4251269331</b> | Height                            | <b>27 mm</b>              |
|                          | <b>343</b>        | Mounting height                   | <b>27 mm</b>              |
| Package quantity         | <b>1</b>          | Hole size                         | <b>M4 / M6</b>            |
| For no. of shield clamps | <b>4</b>          | No. of screw holes                | <b>2</b>                  |
| For max. no. of cables   | <b>4</b>          | No. of teeth                      | <b>4</b>                  |
| Length L1                | <b>156 mm</b>     | Suitable for cable entry systems: | <b>KEL 183-E, KEL 183</b> |
| Length L2                | <b>140 mm</b>     |                                   |                           |



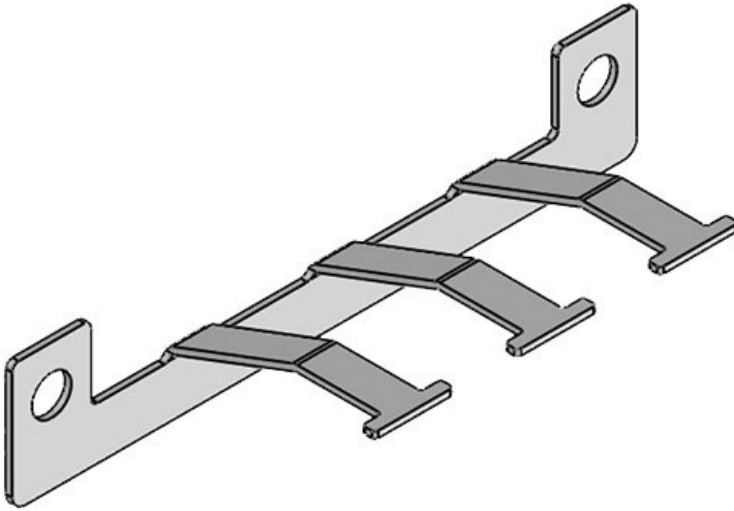
|                        |                      |                                   |   |
|------------------------|----------------------|-----------------------------------|---|
| Part No.               | <b>36526</b>         | Height                            | <b>19,5 mm</b>  |
| EAN                    | <b>4251269303067</b> | Mounting height                   | <b>19,5 mm</b>  |
| Package quantity       | <b>5</b>             | No. of screw holes                | <b>2</b>  |
| For max. no. of cables | <b>5</b>             | Diam. of screw holes              | <b>6 mm</b>   |
| Length L1              | <b>142 mm</b>        | No. of teeth                      | <b>5</b>  |
| Length L2              | <b>130 mm</b>        | Suitable for cable entry systems: | <b>KEL-ER 24, KEL-ER-E5, KEL 24, KEL-E5, KEL-U 24, KEL-FG-E5, KEL-QUICK 24, KEL-QUICK-E5, KEL-BES 24, KEL-BES-S 24, KEL-DPZ 24, KEL-DPZ-E, KEL-DPU 24</b> |
| Width                  | <b>35 mm</b>         |                                   |   |



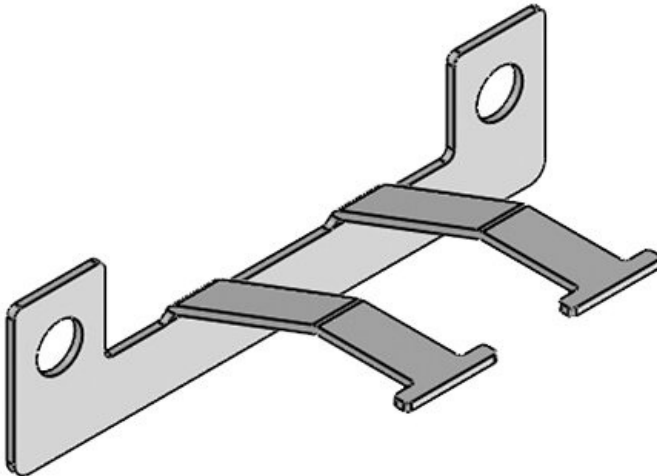
|                        |                      |                                   |   |
|------------------------|----------------------|-----------------------------------|---|
| Part No.               | <b>36524</b>         | Height                            | <b>19,5 mm</b>  |
| EAN                    | <b>4251269303043</b> | Mounting height                   | <b>19,5 mm</b>  |
| Package quantity       | <b>5</b>             | No. of screw holes                | <b>2</b>  |
| For max. no. of cables | <b>4</b>             | Diam. of screw holes              | <b>6 mm</b>   |
| Length L1              | <b>115 mm</b>        | No. of teeth                      | <b>4</b>  |
| Length L2              | <b>103 mm</b>        | Suitable for cable entry systems: | <b>KEL-ER 16, KEL-ER-E4, KEL 16, KEL-E4, KEL-U 16, KEL-QUICK 16, KEL-QUICK-E4, KEL-BES 16, KEL-BES-S 16, KEL-DPZ 16</b> |
| Width                  | <b>35 mm</b>         |                                   |   |

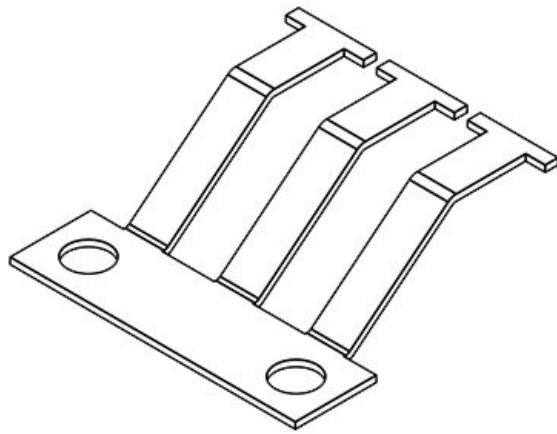
**KEL-EMC 10**

|                        |                      |                                   |  |
|------------------------|----------------------|-----------------------------------|--|
| Part No.               | <b>36522</b>         | Height                            | <b>19,5 mm</b>   |
| EAN                    | <b>4251269303036</b> | Mounting height                   | <b>19,5 mm</b>   |
| Package quantity       | <b>5</b>             | No. of screw holes                | <b>2</b>   |
| For max. no. of cables | <b>3</b>             | Diam. of screw holes              | <b>6 mm</b>  |
| Length L1              | <b>95 mm</b>         | No. of teeth                      | <b>3</b>   |
| Length L2              | <b>83 mm</b>         | Suitable for cable entry systems: | <b>KEL-ER 10, KEL-ER-E3, KEL 10, KEL-E3, KEL-U 10, KEL-FG-E3, KEL-QUICK 10, KEL-QUICK-E3, KEL-BES 10, KEL-BES-S 10</b> |
| Width                  | <b>35 mm</b>         |                                   |  |

**KEL-EMC-B**

|                        |                      |                                   |   |
|------------------------|----------------------|-----------------------------------|---|
| Part No.               | <b>36520</b>         | Height                            | <b>19,5 mm</b>  |
| EAN                    | <b>4251269303029</b> | Mounting height                   | <b>19,5 mm</b>  |
| Package quantity       | <b>5</b>             | No. of screw holes                | <b>2</b>  |
| For max. no. of cables | <b>2</b>             | Diam. of screw holes              | <b>6 mm</b>   |
| Length L1              | <b>70 mm</b>         | No. of teeth                      | <b>2</b>  |
| Length L2              | <b>58 mm</b>         | Suitable for cable entry systems: | <b>KEL-ER-B, KEL-ER-E2, KEL-B, KEL-E2, KEL-U-B, KEL-FG-E2, KEL-QUICK-B, KEL-QUICK-E2, KEL-DPZ-B</b> |
| Width                  | <b>35 mm</b>         |                                   |   |





|                        |                   |                                   |                               |
|------------------------|-------------------|-----------------------------------|-------------------------------|
| Part No.               | <b>39110</b>      | Height                            | <b>19,5 mm</b>                |
| EAN                    | <b>4251269305</b> | Mounting height                   | <b>19,5 mm</b>                |
| Package quantity       | <b>5</b>          | No. of screw holes                | <b>2</b>                      |
| For max. no. of cables | <b>3</b>          | Diam. of screw holes              | <b>6 mm</b>                   |
| Length L1              | <b>44 mm</b>      | No. of teeth                      | <b>3</b>                      |
| Length L2              | <b>32 mm</b>      | Suitable for cable entry systems: | <b>KEL-ER</b>                 |
| Width                  | <b>35 mm</b>      |                                   | <b>24/16/10/-B, KEL</b>       |
|                        |                   |                                   | <b>24/16/10/-B, KEL-U</b>     |
|                        |                   |                                   | <b>24/16/10/-B, KEL-QUICK</b> |
|                        |                   |                                   | <b>24/16/10/-B, KEL-BES</b>   |
|                        |                   |                                   | <b>24/16/10, KEL-BES-S</b>    |
|                        |                   |                                   | <b>24/16/10, KEL-DPZ</b>      |
|                        |                   |                                   | <b>24/16, KEL-DPU 24</b>      |